



www.Trajansaw.com

Trajan 812G
Cut Off Saw



Parts and Service Manual
Order Parts From
www.BandSawParts.com
713-884-1101

PARTS LIST

MODEL NO. 812N&812G

CODE NO	PART NO	DESCRIPTION	SPECIFICATION	QTY
1	195006B	Base		1
2S	195016ES	Stand Complete Assembly		1
2-1	195016E	Coolant Pan		1
2-2	195016C2	Leg(Right)		1
2-3	195016C3	Leg(Left)		1
2-4	195051R	Panel		1
3	181114	Vise Jaw Bracket(Front)		1
4	W008	Washer	3/8"x25xt2	2
5	S506	Carriage Screw	1/2"-12*2"L	1
6	S426	Hex. Socket Head Screw	3/8"-16*1-1/2"L	1
7	N001	Hex. Nut	1/2"-12	1
8	W002	Washer	1/2"x28xt2	2
9	S003	Hex. Head Screw	1/2"-12*2"L	1
10	181113-4	Vise Jaw Bracket(Rear)		1
11	181266	Fixed Bolt		1
13	3027-1	Knob		1
14	193057	Knob		1
15	HW007	Washer	∅12x23xt2	1
16	193055	Pressure Lump		1
17	S612	Hex. Socker Headless Screw	5/16"-18X1/2"L	1
18	181138B	Acme Nut		1
19	192009A	Acme Screw		1
21	193056	Pressure Shaft		1
22	S064	Hex. Head Screw	5/16"-18*5/8"L	2
23	W018	Washer	5/16"x23xt3	2
24	195023B	Down Bracket		1
25	S014	Hex. Head Screw	3/8"-16*1-3/4"L	1
26	S015	Hex. Head Screw	3/8"-16*2"L	1
27	W013	Washer	3/8"x20xt2	1
28	HB810	Nut	3/8"-16	2
29	290086	Plastic Round Knob		1
30	193059	Knob W/Shaft		1
37	195058	Packing		4
50	195068	Stop Block		1
51	181130	Thumb Screw		1
52	195067	Stock Stop Rod		1
53	S022	Hex. Head Screw	5/16"-18*3/4"L	1

PARTS LIST

MODEL NO. 812N&812G

CODE NO	PART NO	DESCRIPTION	SPECIFICATION	QTY
54	S632	Hex. Socker Headless Screw	1/4"-20*5/8"L	1
55	195024	Cylinder Lower Support		1
56	S013	Hex. Head Screw	3/8"-16*1-1/4"L	2
57	W013	Washer	3/8"x20xt2	2
58	CA51101	Bearing		1
59	193063	Washer		1
60	193058	Spring		1
61	195066	Support Rod		1
62	195027	Bushing		1
63	W002	Washer	1/2"x28xt2	2
64	N016	Net	1/2"-12	2
70	S014	Hex. Head Screw	3/8"-16x1-3/4"L	1
72	N005	Hex. Nut	3/8"-16	1
75	ET2108	Wire Nipple	5/8"	1
76	191106	Filter		1
77	S006	Hex. Head Screw	1/4"-20*1/2"L	1
81	S708	Cross Round Head Screw	3/16"x3/8"L	2
82	W007	Washer	3/16"x12xt0.8	2
83	181012	Scale		1
84	195045	Spring		1
85	181118	Spring Adjusting Screw		1
86	S022	Hex. Head Screw	5/16"-18*3/4"L	1
87	W016	Washer	5/16"x23xt2	1
88	181115	Spring Handle Bracket		1
89	W014	Washer	3/8"x23xt2	1
90	N005	Hex. Nut	3/8"-16	2
93	S476	Hex. Socket Head Screw	3/8"-16*1-1/4"L	3
93-1	W204	Spring Washer	3/8"-16	3
96	195002	Rear Pivot Bracket		1
98	S601	Hex. Socker Headless Screw	1/4"-20*1/2"L	1
99	195010A	Cylinder Upper Support		1
100	195047	Shaft		1
101	S010	Hex. Head Screw	3/8"-16*1"L	2
102	W008	Washer	3/8"x25xt2	2
103	181304B	Cylinder Complete Set		1
105	S717	Cross Round Head Screw	1/4"-20*5/8"L	2
106	W004	Washer	1/4"x19xt1.5	2

PARTS LIST

MODEL NO. 812N&812G

CODE NO	PART NO	DESCRIPTION	SPECIFICATION	QTY
107S		pump		1
108	195057	Coupler	PT3/8x1/4"	1
109	181981	Hose	0D12xID8x2000	1
110	181601	Hose Clip	5/8"	3
111	S708	Cross Round Head Screw	3/16"x3/8"L	3
113	W014	Washer	3/8"x23xt2	2
114	S476	Hex. Socket Head Screw	3/8"-16x1-1/4"L	2
118	181854	Hose	OD16xID13x260	1
119S	181256S	Coolant Tank		1
126	W019	Washer	5/8"x40xt3	6
127	181129	Wheel		2
128	HP210	Cotter Pin	3x25L	2
129	195022B	Wheel Rod		1
133	N001	Hex. Nut	1/2"-12	2
134	195038	Coaster of Stand	1/2"	2
137	W013	Washer	3/8"x20xt2mm	4
138	S010	Hex. Head Screw	3/8"-16*1"L	4
139	195021A	Kond W/Shaft		1
141	HS423	Hex. Socket Headless Screw	M6-1.0P*15L	4
145	195039	Bushing		1
146	195001	Body Frame		1
147	W204	Spring Washer	3/8"-16	4
148	S013	Hex. Head Screw	3/8"-16*1-1/4"L	4
149	195031	Switch Cut Off Tip		1
150	W017	Washer	5/16"x18xt1.5	1
151	S019	Hex. Head Screw	5/16"-18*1-1/2"L	1
152	195004A	Upper Bracket		1
153	W205	Spring Washer	5/16"-18	2
154	S207	Hex. Head Screw	5/16"-18X1/2"L	2
155	181894	Blade	0.032"x3/4"x93"x6-10T	1
155	181894-2	Blade	0.032"x3/4"x93"x6-10T	1
156	181214-2	Drive Wheel		1
157	S601	Hex. Socker Headless Screw	1/4"-20*1/2"L	1
158	HCS13	C-Retainer Ring	S25	1
159	195025	Blade Back Cover		1
160	W005	Washer	1/4"x16xt1.5	4
161	195083	Knob		4

PARTS LIST

MODEL NO. 812N&812G

CODE NO	PART NO	DESCRIPTION	SPECIFICATION	QTY
161	S402	Hex. Socket Head Screw	1/4"x1/2"L	4
166A	18123A	Idler Wheel Assembly		1
166-1	181205-2	Idler Wheel		1
166-2	3072-2	Bearing Cover		1
166-3	W017	Washer	5/16"x18xt1.5	1
166-4	S022	Hex. Head Screw	5/16"-18*3/4"L	1
166-5	S303	Flat Cross Head Screw	3/16"x3/8"L	3
166-6	181207-1	Bushing		1
166-8	CA6202ZZ	Bearing	6202ZZ	2
166-9	181245	Bushing		1
167	181306	Bracket , For CE Only		1
168	HS508	Cross Round Head Screw	M4-0.7Px5L	4
170	195063	Tension Indication Plate		1
173A	18122	Shaft Assembly		1
173-1	181208	Sliding Plate Draw Block		1
173-2	181209	Blade Wheel Shaft		1
173-3	HP013	Pin	∅4x22L	1
176	181210	Sliding Plate		2
177	181211	Blade Tension Sliding Block		1
178	S608	Hex. Socker Headless Screw	5/16"-18*3/4"L	1
179	S019	Hex. Head Screw	5/16"-18*1-1/2"L	2
180	W015	Washer	5/16"x12xt2	2
181	S022	Hex. Head Screw	5/16"-18*3/4"L	4
182	W205	Spring Washer	5/16"-18	4
183	181212	Spring		1
184	W008	Washer	3/8"x25xt2	1
185	181213A	Blade Adjustable Knob		1
186	S405	Cross Round Head Screw	1/4"-20*3/8"L	1
187	195429	Blade Cover		1
190S	195432S	Blade Adjustable Assembly		1
190-1	195432	Blade Adjustable		1
190-2	195434	Adjustable Bracket (Front)		1
190-5	HT018	Button Head Screw	M8X25L	2
190-6	HS422	Hex. Socker Headless Screw	M6-1.0P*10L	2
190-7	HS423	Hex. Socker Headless Screw	M6-1.0P*15L	2
190-8	HN012	Hex. Nut	M10-1.0P	2
190-9	HW106	Spring Washer	M10	2

PARTS LIST

MODEL NO. 812N&812G

CODE NO	PART NO	DESCRIPTION	SPECIFICATION	QTY
190-10	103120A	Carbide Guide		2
190-11	HT004	Hex. Socket Head Screw	M6*16L	2
190-12	121018N	Guide		1
191A	121019NAS	Eccertric shaft Assembly		2
191-1	121019NA	Eccertric shaft		2
191-2	CA608ZZ	Bearing	608ZZ	2
191-3	HCS01	C-Retaniner Ring	S10	2
192A	121019NBS	Bearing Shaft Assembly		2
192-1	121019NB	Bearing Shaft		2
192-2	CA608ZZ	Bearing	608ZZ	2
192-3	HCS01	C-Retaniner Ring	S10	2
193	HS509	Cross Round Head Screw	M4-0.7Px10L	2
194	HW003	Washer	M5	2
195	195061	Switch Base		1
196	195041	Grip		1
197	W008	Washer	3/8"x25xt2	1
198S	195035CS	Brush Assembly		1
198-1	195035C	Brush Support		1
198-2	181241C	Brush		1
198-3	HS036	Hex. Head Screw	M6x30L	1
198-4	HW016	Washer	ø6.5Xø18Xt1.5mm	2
198-5	HN004	Hex. Nut	M6	2
200	S405	Cross Round Head Screw	1/4"-20*3/8"L	2
201	W005	Washer	1/4"x16xt1.5mm	2
202S	195432S	Blade Adjustable Assembly(Rear)		1
202-1	195433	Blade Adjustable (Rear)		1
202-5	HN012	Hex. Nut	M10-1.0P	2
202-6	HW106	Spring Washer	M10	2
202-13	103120A	Carbide Guide		2
202-14	HT004	Hex. Socket Head Screw	M6*16L	2
202-15	121018N	Guide		1
205	HT018	Button Head Screw	M8X25L	2
211	S022	Hex. Head Screw	5/16"-18x3/4"L	4
212	W016	Washer	5/16"x23xt2	4
213	181233A	Motor Mount Bracket		1
214	W018	Washer	5/16"x23xt3	2
215	S022	Hex. Head Screw	5/16"-18x3/4"L	2

PARTS LIST

MODEL NO. 812N&812G

CODE NO	PART NO	DESCRIPTION	SPECIFICATION	QTY
216	S504	Carriage Screw	5/16"-18x3/4"L	4
217	181234A	Motor Mount Plate		1
218	S017	Hex. Head Screw	5/16"-18x1"L	2
219	N007	Hex. Nut	5/16"-18	2
220		Motor		1
221	W016	Washer	5/16"x23xt2	4
222	N007	Hex. Nut	5/16"-18	4
223	S604	Hex. Socker Headless Screw	1/4"-20x3/8"L	1
224	181235	Motor Pulley		1
225	K008	Key	5x5x30L	2
226	S201	Cross Socker Hex. Head Screw	1/4"x1/2"L	2
227	W004	Washer	1/4"x19xt1.5	2
228	181237I	Motor Pulley Cover		1
229	W005	Washer	1/4"x16xt1.5	1
230	S201	Cross Socker Hex. Head Screw	1/4"-20x1/2"L	3
230	3058	Plum handle		1
244S	18138	Worm Gear Shaft Assembly		1
244-1	181223	Worm Shaft		1
244-2	K008	Key	5x5x30L	1
244-3	CA6003LLU	Bearing	6003LLU	2
244-4	181224	Bearing Bushing		1
244-5	C002	C-Retaniner Ring	R17	1
245S	18121	Gear Box Assembly		1
245-1	181216A	Gear Box		1
245-2	3149	Vent Plug	M8xP1	1
245-3	S202	Cross Socker Hex. Head Screw	1/4"-20x5/8"L	4
245-4	181222-1	Gear Box Cover		1
245-5	3092	Gear Box Gasket		1
245-6	HCS13	C-Retaniner Ring	S25	1
245-7	HK025	Key	6x6x20L	1
245-8	181220-1	Worm Gear		1
245-9	181218-1	Bushing		1
245-10	CA6205LLU	Bearing	6205LLU	2
245-11	181217-1	Bushing		1
245-12	181219-1	Transmission Wheel Shaft		1
245-14	181246	Bearing Cover		1
245-15	S708	Cross Round Head Screw	3/16"x3/8"L	3

PARTS LIST

MODEL NO. 812N&812G

CODE NO	PART NO	DESCRIPTION	SPECIFICATION	QTY
245-16	S609	Hex. Socker Headless Screw	5/16"x3/8"L	1
246	181237D	Cover		1
254	181226B	Spindle Pulley		1
255	S604	Hex. Socker Headless Screw	1/4"-20x3/8"L	2
266	181874	Belt	3Vx270	1
272	195084	Cable Clamp		2
281	S208	Hex. Head Screw	1/4"X1/2"L	8
282	W005	Washer	1/4"x16xt1.5	16
283	N003	Hex. Nut	1/4"-20	8
284	S010	Hex. Head Screw	3/8"-16*1"L	8
285	W013	Washer	3/8"x20xt2	16
286	N005	Hex. Nut	3/8"-16	9
287S	195071S	Valve Assembly		1
300		Motor		1
300-1	HK110	Key	5x5x30L	1
300-2	HS059	Hex. Head Screw	M10x25L	4
300-3	HW106	Spring Washer	M10	4
300-4	ET2111	Cable Gland	PG13.5	2
300-5	ET2904	Screw On Wire Connector	Y3	4
310S		Box Assemble		1
345	181991A	Emergency Switch Bracket		1
345	181998A	Control Base		1
345	181969	Control Box Base		1
345	181970	Control Box Base		1
348	S727	Cross Round Head Screw	M6x12L	4
351	HS228	Hex. Socket Head Screw	M6-1.0Px10L	2
750S1	ET1615S	Switch Ass		1
750-1	S708	Cross Round Head Screw	3/16"x3/8"L	2
750-2	ET1931	Switch COVER		1
750-3	181431	Rubber Plate		1
750-4	ET1615	Switch	MJ1308R	1
750-5	HN002	Hex. Nut	M4	2
750-6	HW305	Washer	M4	4
750-7	HS513	Cross Round Head Screw	M4-0.7Px30L	2
750-8	ET1201	cover	CB2	1
750-9	HS511	Cross Round Head Screw	M4-0.7Px20L	2
750S2	ET1403S	Toggle Switch Assembly		1

PARTS LIST

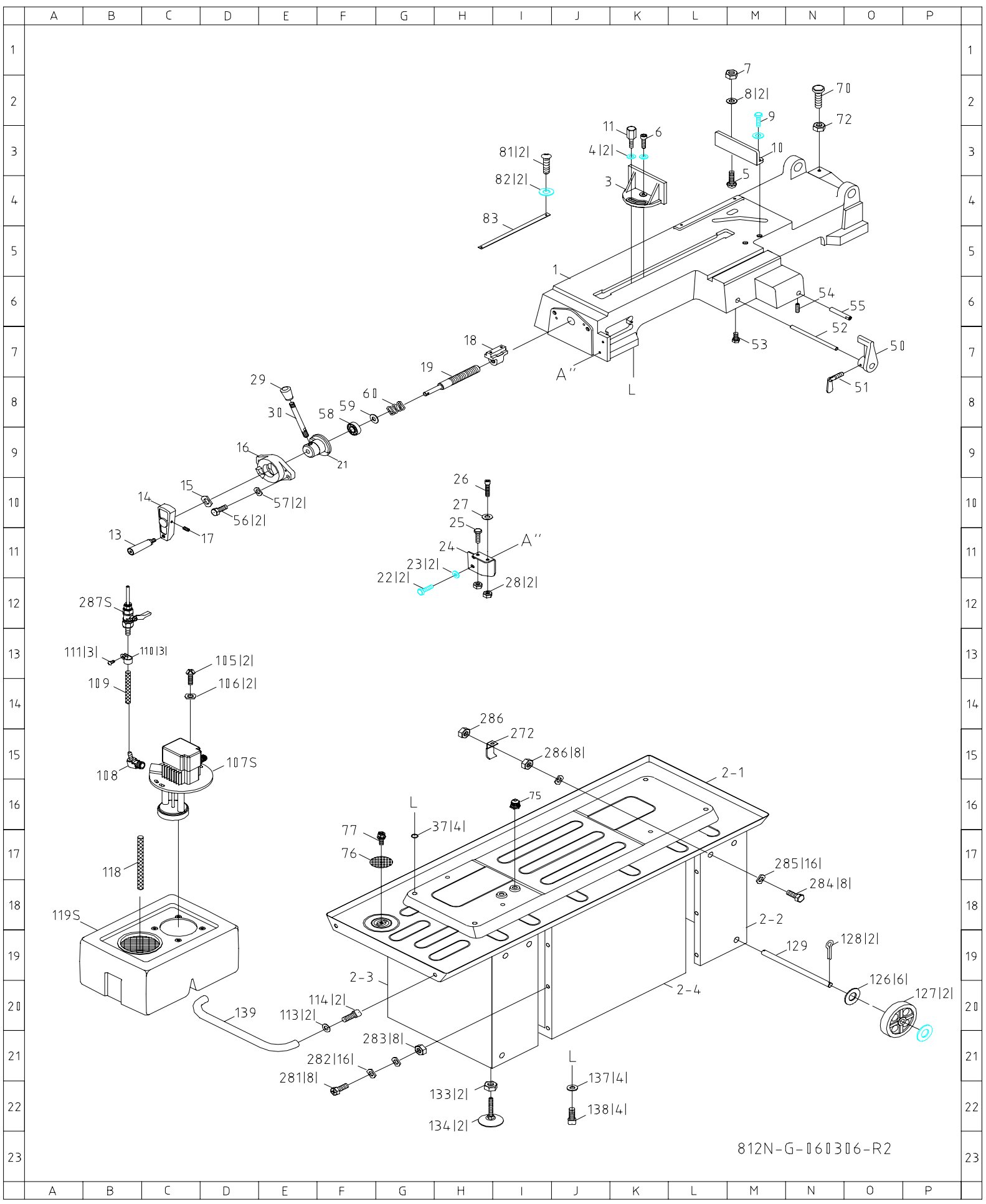
MODEL NO. 812N&812G

CODE NO	PART NO	DESCRIPTION	SPECIFICATION	QTY
750-1	181932	Toggel Switch Cover		1
750-2	3131B	Switch Cover		1
750-3	ET1403	Toggle Switch Assembly		1
		Switch indicator	For 1HP Only	
		Hex. Nut		
750-3	181933	Toggle Switch Assembly		1
		Switch indicator	For 3HP Only	
		Hex. Nut		
750-4	S804	Screw	3/16"x3/8"L	2
750-5	ET1931	Cover		1
750-6	181431	Rubber Plate		1
750-7	ET1930	Electrical Box		1
750-8	S807	Screw	5/32"x1/8"L	2
750-9	ET2108	Wire Nipple	5/8"	2
750-10	ET2107	Wire Nipple	1/2"	2
750S3	ET1617S	Switch (For CE Only)		1
750-1	S708	Cross Round Head Screw	3/16"x3/8"L	2
750-2	181989-1	Switch Bracket(For CE Only)		1
750-3	ET1617	Switch (For CE Only)		1
750-4	S708	Cross Round Head Screw	3/16"x3/8"L	2
800S	192321G4S	Gear Box	G4	1
800-1	192321G4	Gear Box		1
800-2	192322G4	Gear Box Cover		1
800-3	192324	Speed-Changing Gear Shaft		1
800-4	2450079	Speed Lever		1
800-5	2450080	Spring		1
800-6	HB001	Steel Ball	φ8	1
800-7	192327A	Speed Indicator Dial		1
800-8	HS244	Hex. Socket Head Screw	M5x28L	1
800-9	192325	Worm Shaft		1
800-10	192309	Speed-Changing Rod		1
800-11	2450083A	Speed-Changing Key		1
800-12	2450084B	Twisted Spring		1
800-13	HP006	Pin	φ3x10L	2
800-14	192329	Gear		1
800-15	192330	Gear		1
800-16	192331	Gear		1

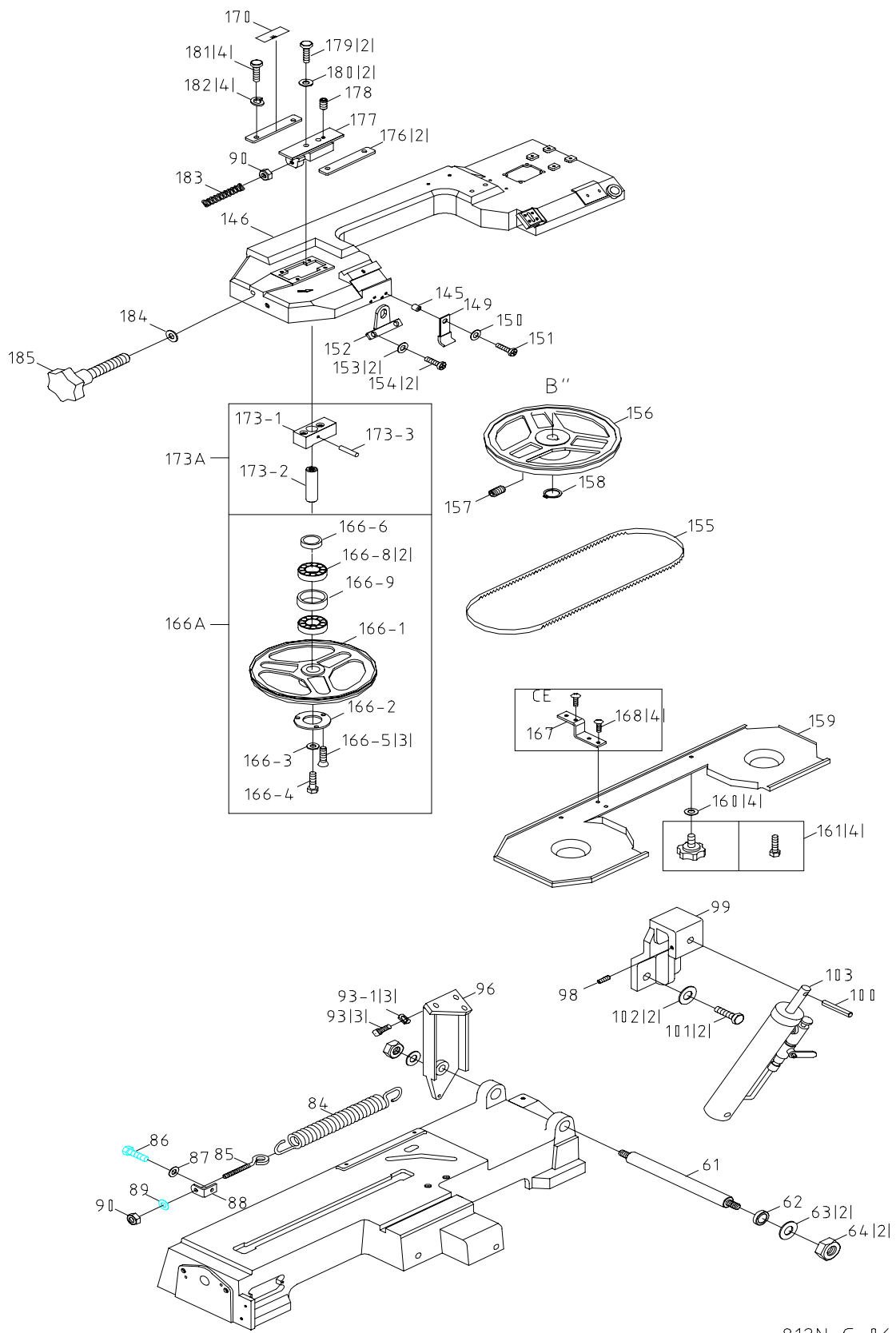
PARTS LIST

MODEL NO. 812N&812G

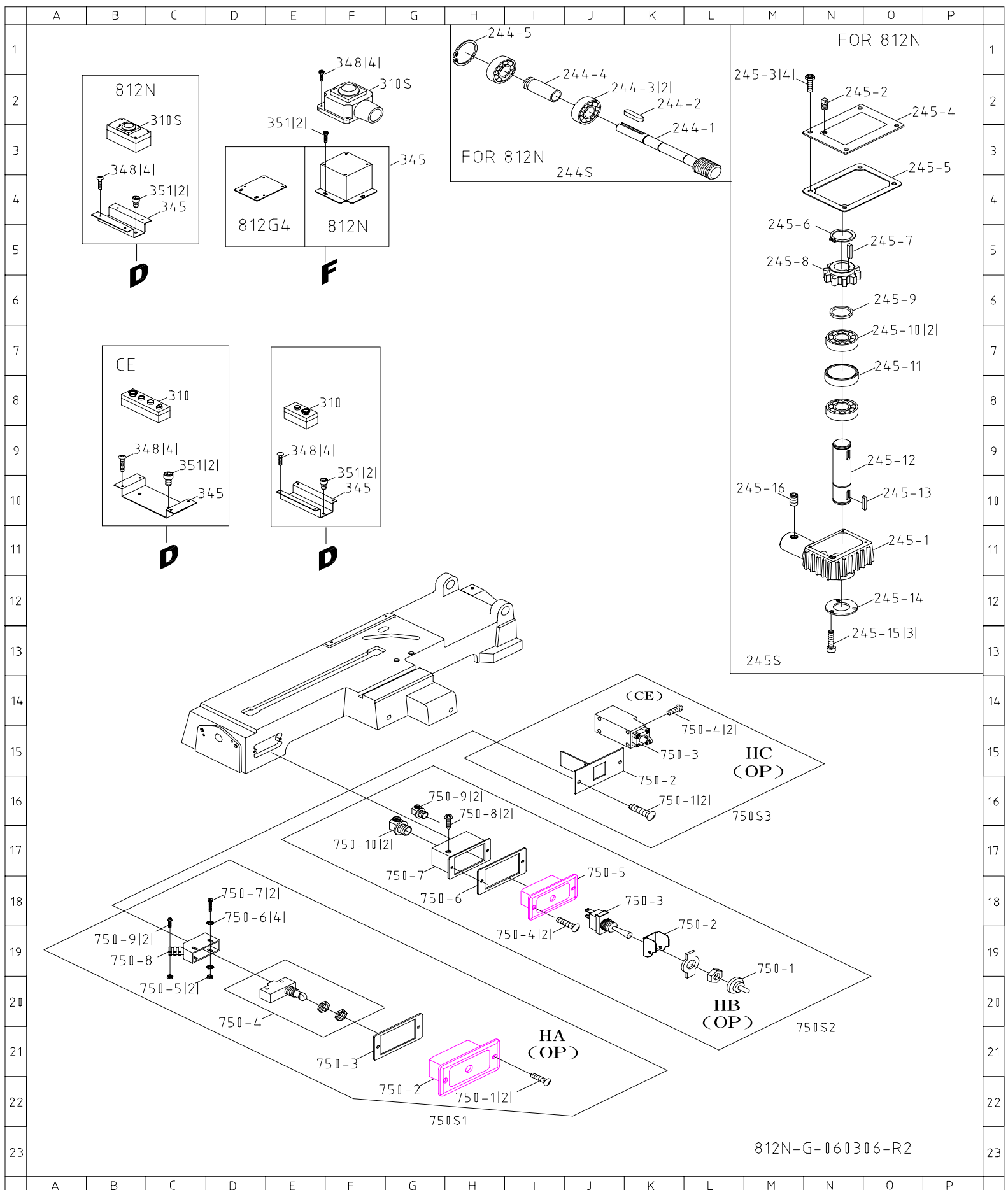
CODE NO	PART NO	DESCRIPTION	SPECIFICATION	QTY
800-17	2450074A	Washer		4
800-18	2450089A	Bushing Bracket		1
800-19	HCR04	C-Retainer Ring	R35	2
800-20	HS421	Hex. Socket Headless Screw	M6x6L	2
800-21	CA6003LLB	Bearing	6003LLB	2
800-22	192328	Cover		1
800-23	192332	Gear Shaft		1
800-24	192333	Gear		1
800-25	192334	Gear		1
800-26	192335	Gear		1
800-27	HK095	Key	5x5x32L	1
800-28	HCS06	C-Retainer Ring	S17	2
800-29	CA6003LLB	Bearing	6003LLB	1
800-30	CA6007LLB	Bearing	6007LLB	1
800-31	HCR08	C-Retainer Ring	R62	1
800-33	HG004	Oil Seal	φ62xφ35x8	1
800-37	192336	Drive Gear Shaft		1
800-38	192337	Worm Gear		1
800-39	HCS13	C-Retainer Ring	S25	2
800-40	HK025	Key	6x6x20L	2
800-41	CA6205LLB	Bearing	60205LLB	2
800-42	192340	Bearing Spacer		1
800-43	192339	Cover		1
800-44	HO041	O-Retainer Ring	φ35Xφ29x3	2
800-45	HT017	Round Head Screw	M5X12L	3
800-46	HD106	Plug	PT3/8"	1
800-47	HS230	Hex. Socket Head Screw	M6x20L	4
800-48	3149	Vent Plug		1
800-49		Scale		1
800-50	HH001	Rivet	φ2X4	2
800-51	181246	Bearing Cover		1
800-52	HS519	Cross Round Head Screw	M5x10L	3
800-53	192338B	Gear Box Gasket		1
800-54	HD103	Plug	PT1/4"	1
800-55	HB203	Oil level gage	φ19	1
800-56	HO046	O-Retainer Ring	P16	1
800-57	HCR24	C-Retainer Ring	R20	1

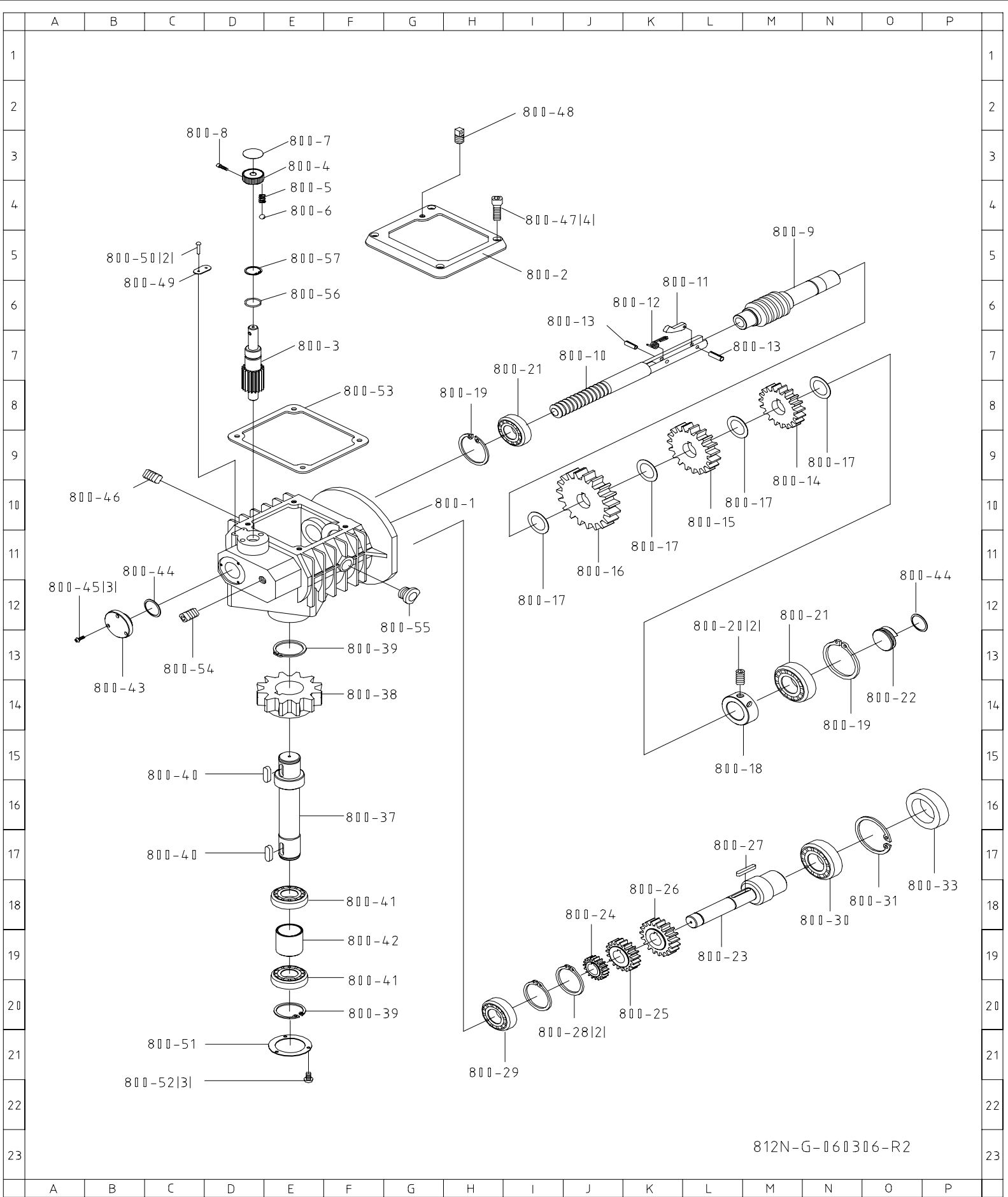


812N-G-060306-R2



812N-G-060306-R2





812N-G-060306-R2